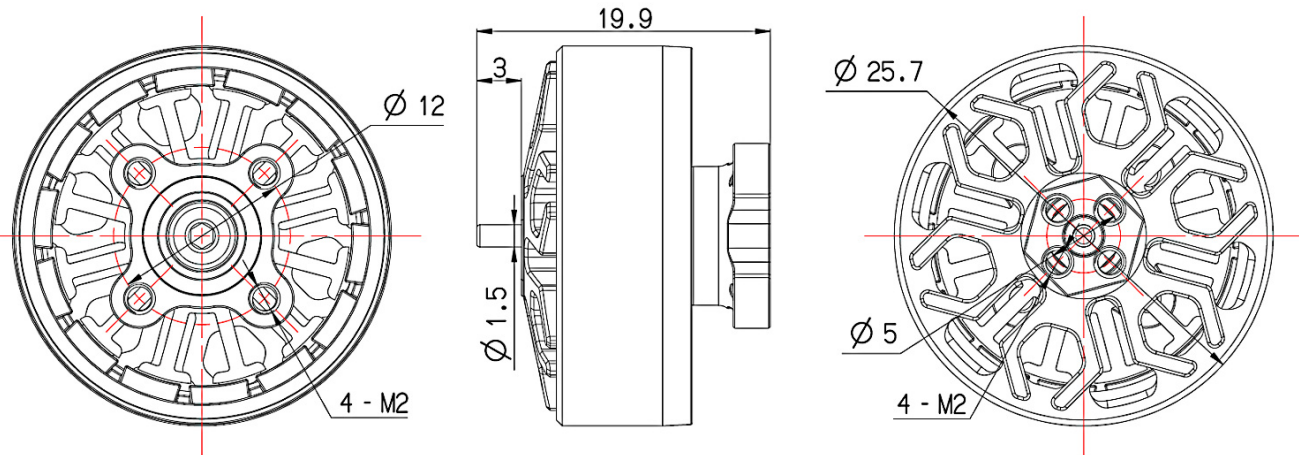


Dimensions



Package



Motor x1



M2 (6mm) x5



M2 (8mm) x5

2006-1950KV Test Data

Propeller	KV	Throttle	Voltage (V)	Current (A)	Tension (g)	Rotational Speed (RPM)	Power (W)	Efficiency (g/W)	Temperature (°C)
HQ T90MMX3	1950	30%	24.07	1.31	116.99	13720	31.61	3.70	Motor internal temperature: 40°C (Ambient: 32°C)
		40%	24.04	2.44	198.39	17808	58.66	3.38	
		50%	24.03	4.02	290.70	21653	96.55	3.01	
		60%	24.00	6.00	390.15	25002	143.94	2.71	
		70%	23.92	8.05	490.62	27789	192.46	2.55	
		80%	23.88	10.52	600.68	30617	251.11	2.39	
		90%	23.83	13.30	716.04	33561	316.91	2.26	
		100%	23.77	16.44	821.81	36207	390.88	2.10	

Propeller	KV	Throttle	Voltage (V)	Current (A)	Tension (g)	Rotational Speed (RPM)	Power (W)	Efficiency (g/W)	Temperature (°C)
GF 4023X3	1950	30%	24.08	1.02	88.43	14052	24.54	3.60	Motor internal temperature: 40°C (Ambient: 32°C)
		40%	24.06	2.05	165.95	18448	49.28	3.37	
		50%	24.05	3.42	260.61	22547	82.26	3.17	
		60%	24.04	5.12	369.24	26362	122.98	3.00	
		70%	23.98	6.86	460.73	29479	164.50	2.80	
		80%	23.96	8.73	561.71	32199	209.21	2.68	
		90%	23.90	11.21	686.97	35328	267.95	2.56	
		100%	23.86	14.17	825.69	38104	338.12	2.44	

Propeller	KV	Throttle	Voltage (V)	Current (A)	Tension (g)	Rotational Speed (RPM)	Power (W)	Efficiency (g/W)	Temperature (°C)
HQ 5X2X3	1950	30%	24.19	1.22	119.14	13851	29.40	4.05	Motor internal temperature: 40°C (Ambient: 32°C)
		40%	24.19	2.44	215.02	17992	59.03	3.64	
		50%	24.14	4.16	333.03	21706	100.31	3.32	
		60%	24.10	6.16	461.14	25002	148.56	3.10	
		70%	24.05	8.49	586.60	27701	204.11	2.87	
		80%	24.02	11.25	731.44	30298	270.23	2.71	
		90%	23.92	14.23	876.38	32804	340.37	2.57	
		100%	23.87	17.87	1023.26	35185	426.45	2.40	

Propeller	KV	Throttle	Voltage (V)	Current (A)	Tension (g)	Rotational Speed (RPM)	Power (W)	Efficiency (g/W)	Temperature (°C)
HQ 5.1X2.5X3	1950	30%	24.08	1.57	161.47	13302	37.76	4.28	Motor internal temperature: 40°C (Ambient: 32°C)
		40%	24.03	3.09	286.21	16976	74.18	3.86	
		50%	24.03	5.15	424.01	20059	123.87	3.42	
		60%	23.94	7.96	577.01	22902	190.50	3.03	
		70%	23.93	11.02	732.05	25440	263.59	2.78	
		80%	23.86	14.26	879.95	27440	340.22	2.59	
		90%	23.81	18.01	1033.06	29479	428.88	2.41	
		100%	23.79	21.63	1130.06	31164	514.54	2.20	

Parameters

KV Value	1950
Stator Poles	12N14P
Shaft Diameter	1.5mm
Silicone Wire	20# 150mm
Motor Weight (including wires)	23.00 g
Phase Resistance (including wires)	133.27 mΩ
Operating Voltage	6S
(1 OV) No-load Current (10V)	0.49 A
Maximum Power	514.54 W
Maximum Current	21.63 A